

TestInsides



Quality and Value

TestInsides Practice Exams are written to the highest standards of technical accuracy, using only certified subject matter experts and published authors for development - no all vce.



Tested and Approved

We are committed to the process of vendor and third party approvals. We believe professionals and executives alike deserve the confidence of quality coverage these authorizations provide.



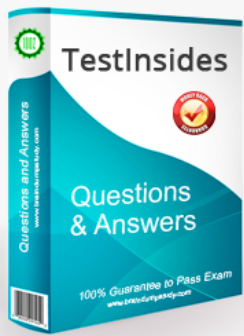
Easy to Pass

If you prepare for the exams using our TestInsides testing engine, It is easy to succeed for all certifications in the first attempt. You don't have to deal with all dumps or any free torrent / rapidshare all stuff.



Try Before Buy

TestInsides offers free demo of each product. You can check out the interface, question quality and usability of our practice exams before you decide to buy.



Try before you buy

Download a free sample of any of our exam questions and answers


- ✓ 24/7 customer support, Secure shopping site
- ✓ Free One year updates to match real exam scenarios
- ✓ If you failed your exam after buying our products we will refund the full amount back to you.

Choose an exam to sample

Select a vendor... ▼

Select an exam... ▼

Your email address

 Download Now

About Full Refund

Candidates have own unqualified certificate scanned and then sent to our mailbox. After confirmation, we will refund. ([Contact now](#))

Refund Policy

1. Questions must be purchased before the exam.
2. The transcript's subject must be the same subject when you bought the questions.

<http://www.testinsides.top/>

Testinsides offers the best valid test dumps and test questions

Exam : **H12-831_V1.0-ENU**

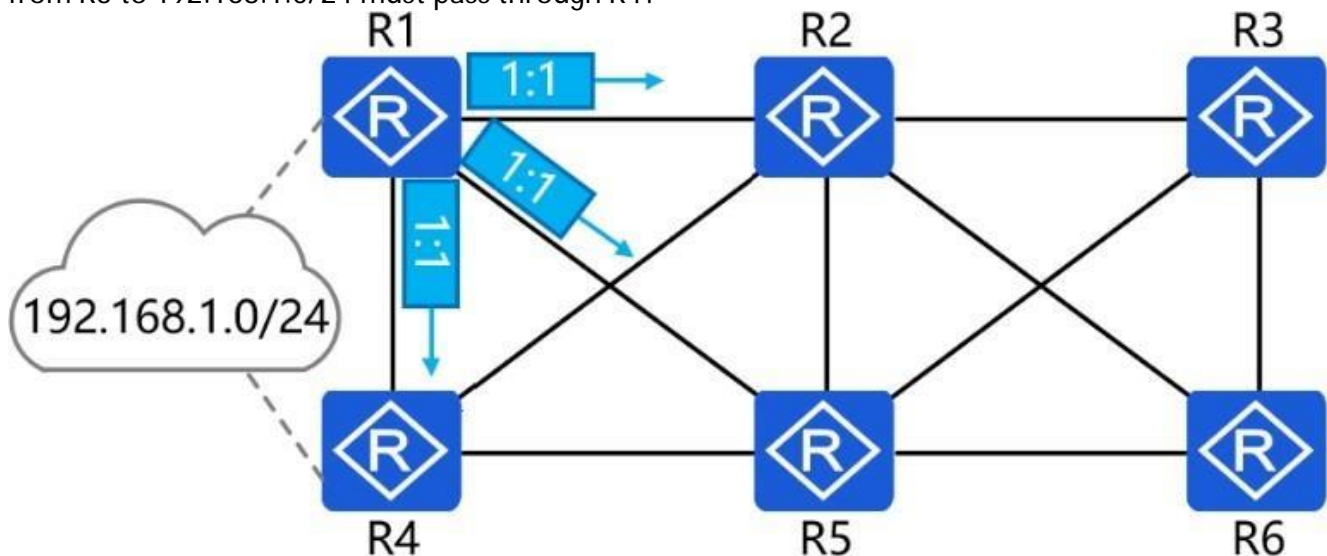
Title : HCIP-Datacom-Advanced
Routing & Switching
Technology V1.0

Vendor : Huawei

Version : DEMO

NO.1 In the network shown in the figure, adjacent routers use directly connected interfaces to establish EBGP neighbor relationships.

The Router ID of each device is 10.0.XX, and the AS number is 6500X, where X is the router number. R1 and R4 both have static routes to 192.168.1.0/24, which are introduced into BGP through import. R1 adds the Community attribute value (1:1) when sending routes to its neighbors. All routers in the network are enabled to pass community attributes. Which of the following can make the traffic path from R3 to 192.168.1.0/24 must pass through R4?



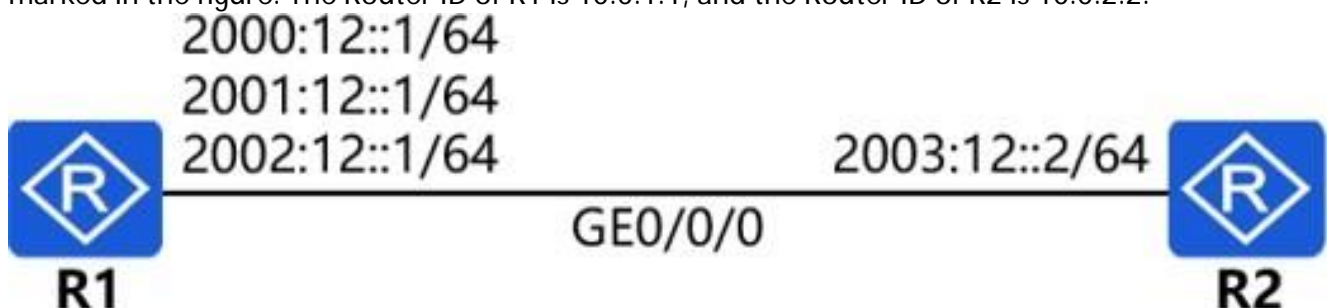
AS Number 6500X

Router ID 10.0.X.X

- A. Configure a routing policy on R5 to reject routes with a community attribute value of 1:1.
- B. Configure a routing policy on R2 to reject routes with a community attribute value of 1:1.
- C. Configure a routing policy on R4 to reject routes with a community attribute value of 1:1.
- D. Configure a routing policy on R3 to reject routes with a community attribute value of 1:1.

Answer: B

NO.2 OSPFv3 is running between R1 and R2, and the IPv6 addresses configured on the interfaces are marked in the figure. The Router ID of R1 is 10.0.1.1, and the Router ID of R2 is 10.0.2.2.

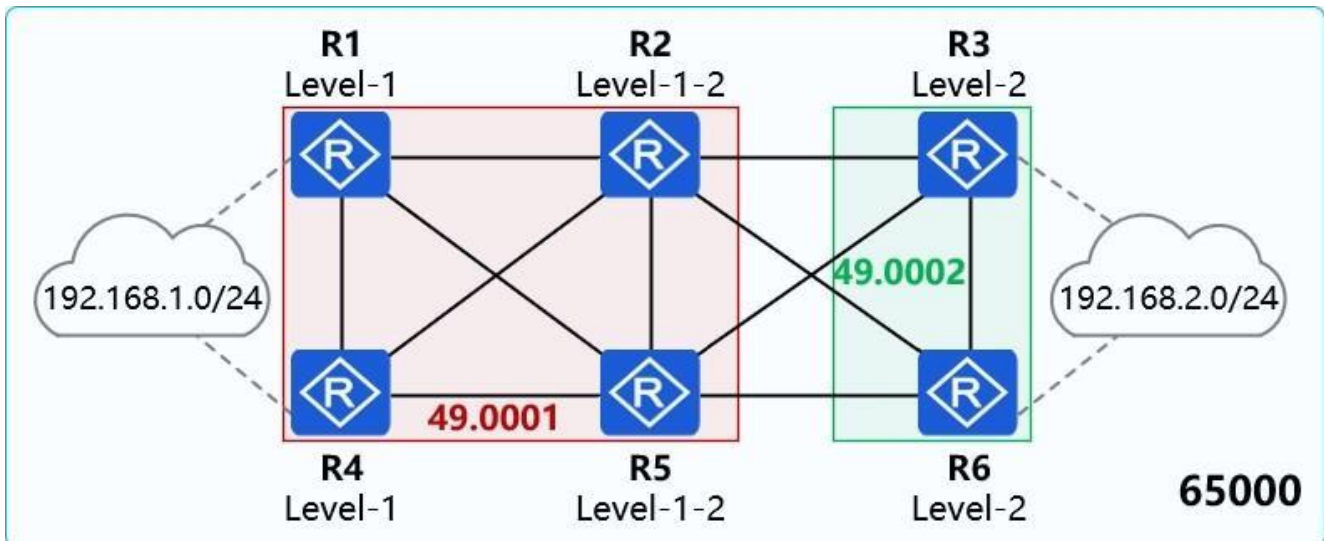


Which of the following is true about the default situation?

- A. The Intra-Area-Prefix-LSA generated by R2 will describe four prefixes
- B. The Intra-Area-Prefix-LSA generated by R1 will describe three prefixes
- C. The Intra-Area-Prefix-LSA generated by R2 will describe three prefixes
- D. The Intra-Area-Prefix-LSA generated by R1 will describe four prefixes

Answer: A

NO.3 In the network shown in the figure, R1, R2, R4, and R5 run IS-IS in area 49.0001, and R3 and R6 run IS-IS in area 49.0002. "import-route isis level-2 into level-1" is configured on R2. Within AS 65000, R1, R3, R4, and R6 all establish IBGP neighbor relationships with R2 and R5, of which R2 and R5 are RRs, and R1, R4, R3, and R6 are clients. R2 and R5 also establish an IBGP neighbor relationship and configure the same Cluster ID. The IBGP neighbor relationship is established using the Loopback0 interface. The IP address of the Loopback0 interface of each device is 10.0.X.X/32, and the Router ID is 10.0.X.X, where X is the group number of the device. R1 and R4 import the external network 192.168.1.0/24 into BGP, and R3 and R6 import the external network 192.168.2.0/24 into BGP.

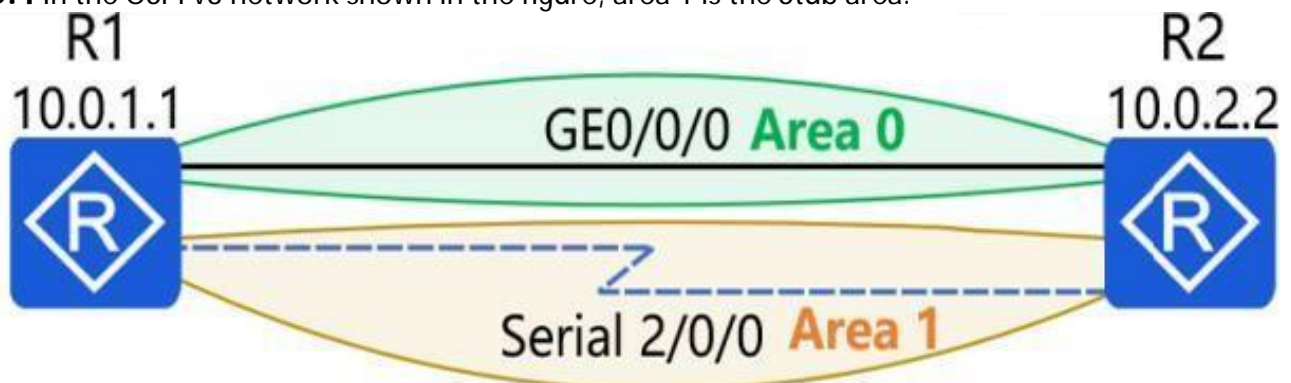


Which of the following descriptions are correct by default? (Multiple choice)

- A. There is a valid route to 192.168.2.0/24 in R3's BGP routing table
- B. There are two valid routes to 192.168.1.0/24 in R5's BGP routing table
- C. R4's BGP routing table has three valid routes to 192.168.2.0/24
- D. R2's BGP routing table has three valid routes to 192.168.1.0/24

Answer: AB

NO.4 In the OSPFv3 network shown in the figure, area 1 is the Stub area.



OSPFv3

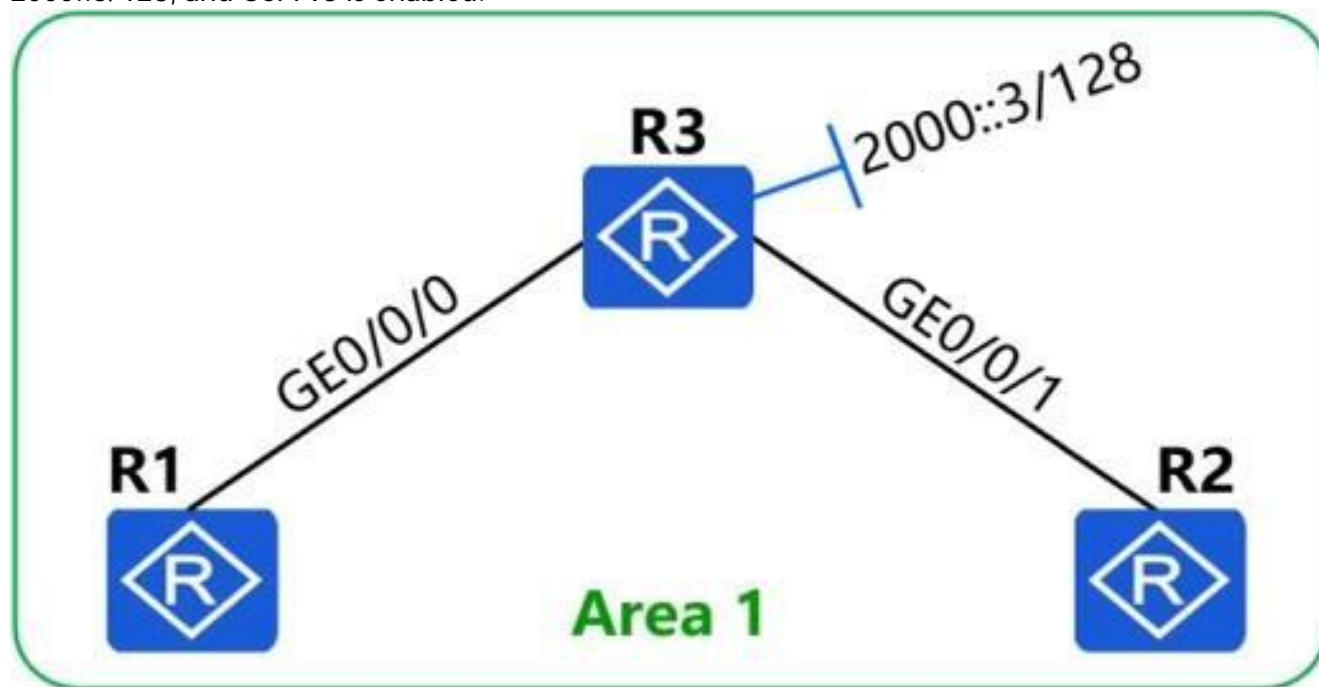
By default, which of the following types of LSAs is generated by only one router?

- A. Link-LSA
- B. Intra-Area-Prefix-LSA

- C. Network-LSA
- D. Inter-Area-Prefix-LSA

Answer: C

NO.5 In the OSPFv3 network shown in the figure, the IPv6 address of R3 Loopback0 interface is 2000::3/128, and OSPFv3 is enabled.



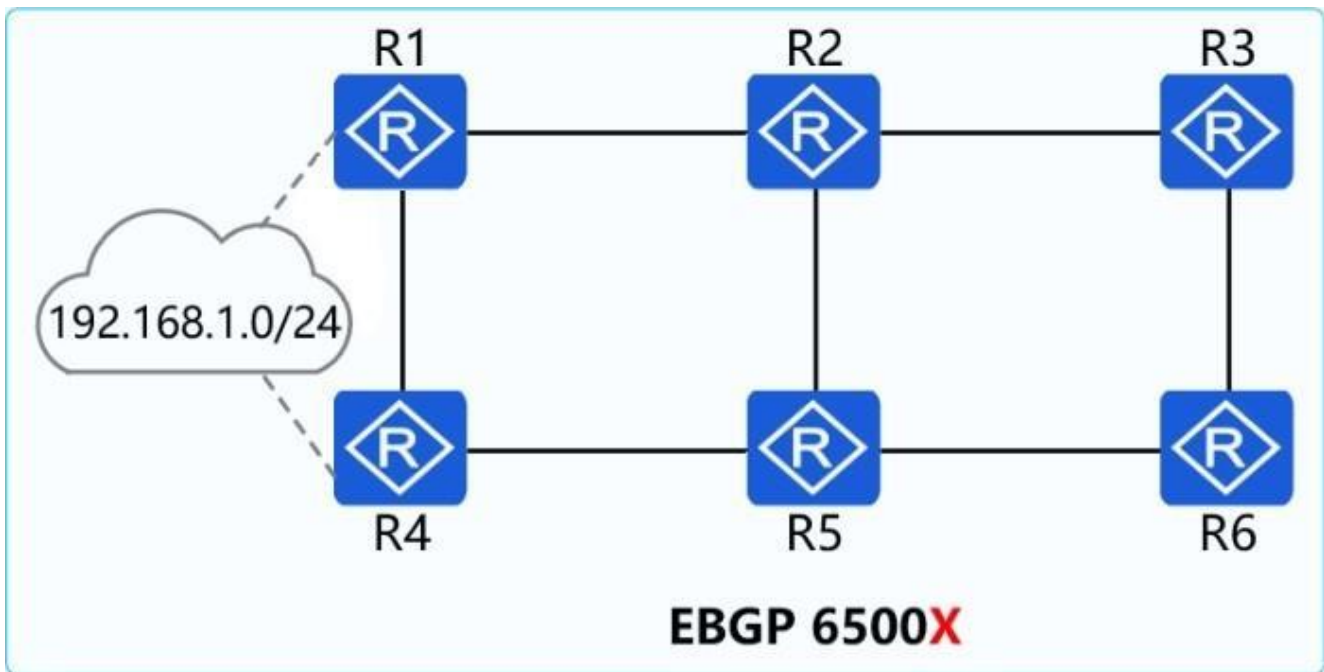
OSPFv3

Which of the following descriptions are correct? (Multiple choice)

- A. R2 will definitely generate a Link-LSA
- B. R1 will definitely generate a Network-LSA
- C. R3 will definitely generate an Intra-Area-Prefix-LSA
- D. The Link-LSA generated by R2 will not appear in R1's LSDB

Answer: ACD

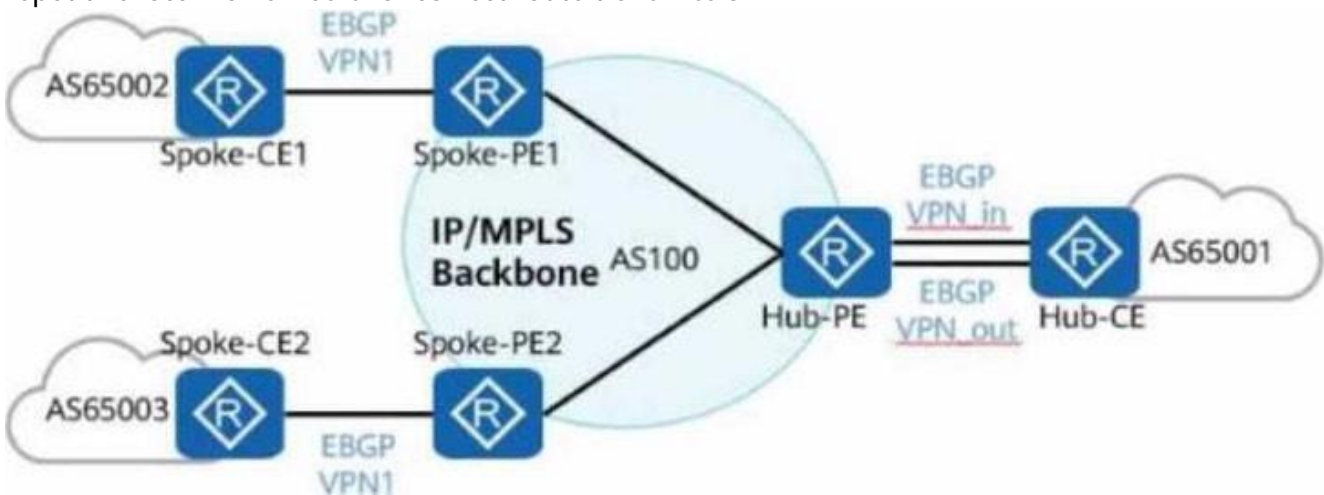
NO.6 In the network shown in the figure, adjacent routers use directly connected interfaces to establish EBGP neighbor relationships. The AS number is 6500X, where X is the router number. R1 and R4 both have static routes to 192.168.1.0/24, which are introduced into BGP through import. By default, in the R3 routing table, the AS_Path attribute carried by the route entry to 192.168.1.0/24 is which of the following?



- A. 65006, 65005, 65004, 65001
- B. 65004, 65002, 65005
- C. 65006, 65005, 65004
- D. 65002, 65001

Answer: D

NO.7 In the hub-spoke networking shown in the figure, the Hub-PE can be configured to allow repetitive local AS numbers for correct route transmission.



- A. TRUE
- B. FALSE

Answer: A

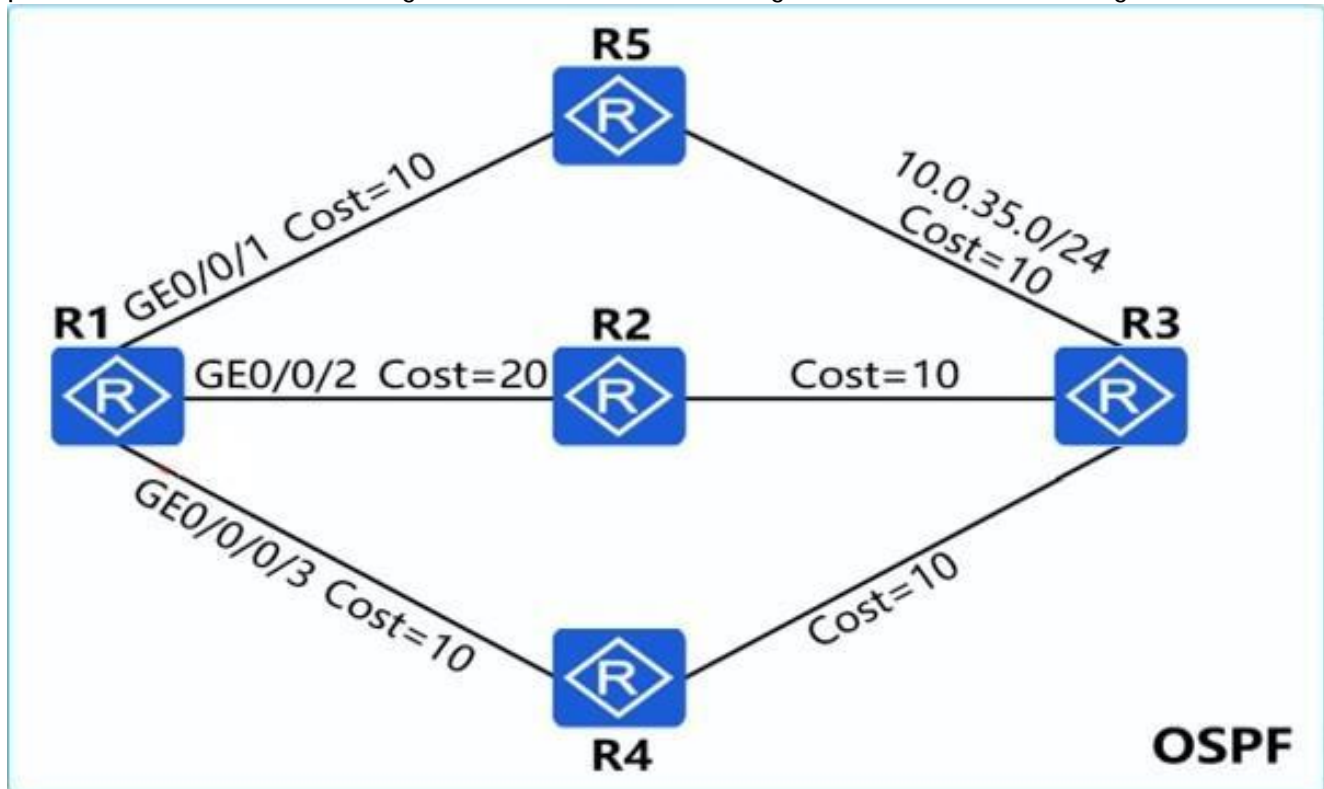
NO.8 In an MPLS L3VPN network, when forwarding traffic between two CE sites across the MPLS backbone, how many labels are typically imposed on the packet within the core?

- A. One label (VPN label only)
- B. One label (LDP transport only)
- C. Two labels (outer transport + inner VPN label)

D. Three labels

Answer: C

NO.9 In the OSPF network shown in the figure, the cost value of the link is marked in the figure. R1 has enabled OSPF IP FR and configured the "maximum load-balancing 8" command in the OSPF process. Which of the following is the cost value of reaching 10.35.0/24 in R1's routing table?



A. 10

B. 30

C. 20

D. 40

Answer: B

NO.10 On the OSPFv3 network shown in the figure, OSPFv3 is enabled on the interfaces connecting R1, R2, and R3. The router ID of each router is 10.0.X.X, where X is the number of the router. If you check detailed information about an LSA on R3, the command output shows that R1 and R2 are DRs on the network.

A. TRUE

B. FALSE

Answer: B

NO.11 When the switch is configured with port isolation function, by default, different hosts belonging to the same VLAN cannot communicate at layer 1 and layer 3.

A. True

B. False

Answer: B

NO.12 If the migration preparation is insufficient, which of the following problems may occur?
(Multiple Choice):

- A.** When an interface cannot go up but no network cable tester is available, it is difficult to determine whether the interface hardware or cable is faulty.
- B.** The migration fails, and the configuration file is not backed up. As a result, the service rollback fails.
- C.** A hardware fault occurs on a board, but no spare board is available.
- D.** Engineers cannot arrive at the migration site at the scheduled time.

Answer: ABCD

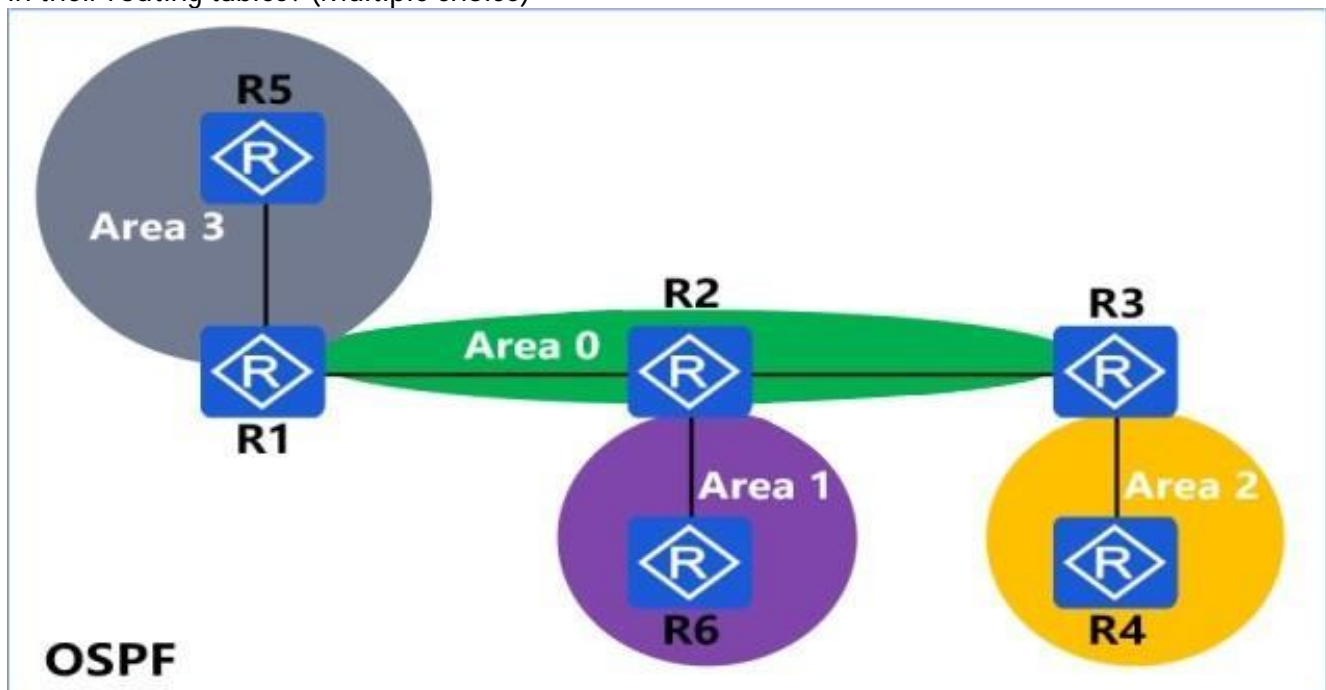
NO.13 When creating an IPv6 static route, for a broadcast type interface, you need to specify the next hop, and the next hop address can be a link-local address. When the next hop address is a link-local address, you must specify the outbound interface.

- A.** True
- B.** False

Answer: A

NO.14 In the OSPF network shown in the figure, the area numbers are marked in the figure, where area

1 is an NSSA area, and areas 2 and 3 are common areas. The "default-route- advertise always" command is configured in the SPF process of R5. Which of the following routers have default routes in their routing tables? (Multiple choice)



- A.** R6
- B.** R2
- C.** R4
- D.** R3

Answer: ABCD

NO.15 The file information shown in the figure exists on the R2 device. When the network engineer uses the "dir | exclude 1" command to view the file information, which of the following files will be seen?

```
<R2>dir
```

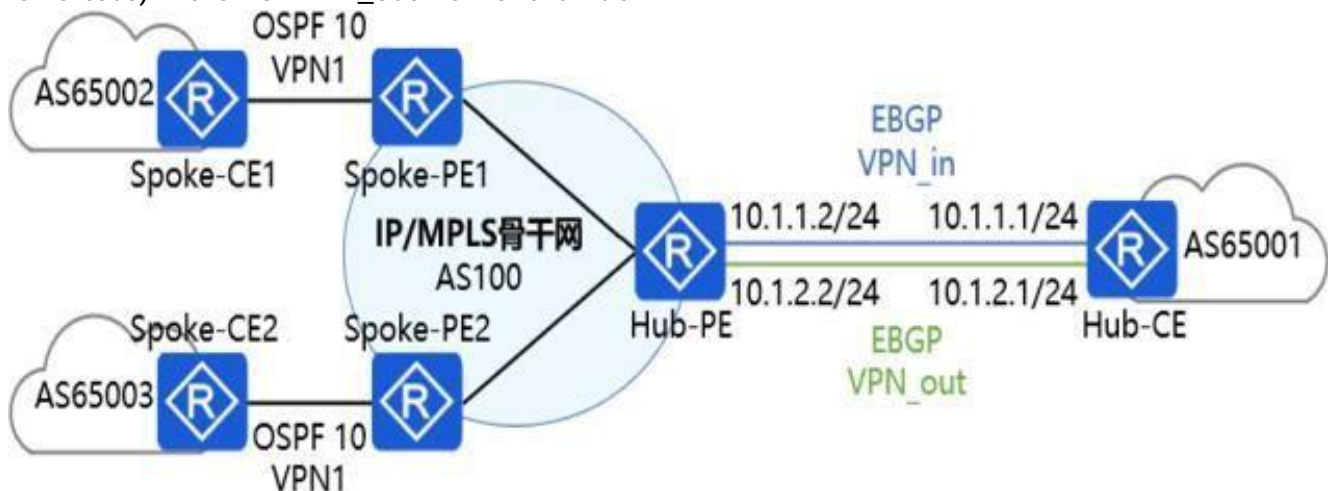
Directory of flash:/

| Idx | Attr | Size(Byte) | Date | Time | FileName |
|-----|------|------------|--------|----------|----------|
| 5 | -rw- | 5,169 | Dec 27 | 06:50:25 | 1.cfg |
| 6 | -rw- | 5,276 | Dec 27 | 07:20:19 | 2.cfg |
| 7 | -rw- | 2,545,680 | Dec 27 | 07:20:35 | 3.dat |
| 8 | -rw- | 2,118 | Dec 27 | 07:20:29 | 3.zip |
| 9 | -rw- | 2,113 | Dec 27 | 07:32:31 | 4.zip |

- A. 4.zip
- B. 3.dat
- C. 1.cfg
- D. 2.cfg

Answer: B

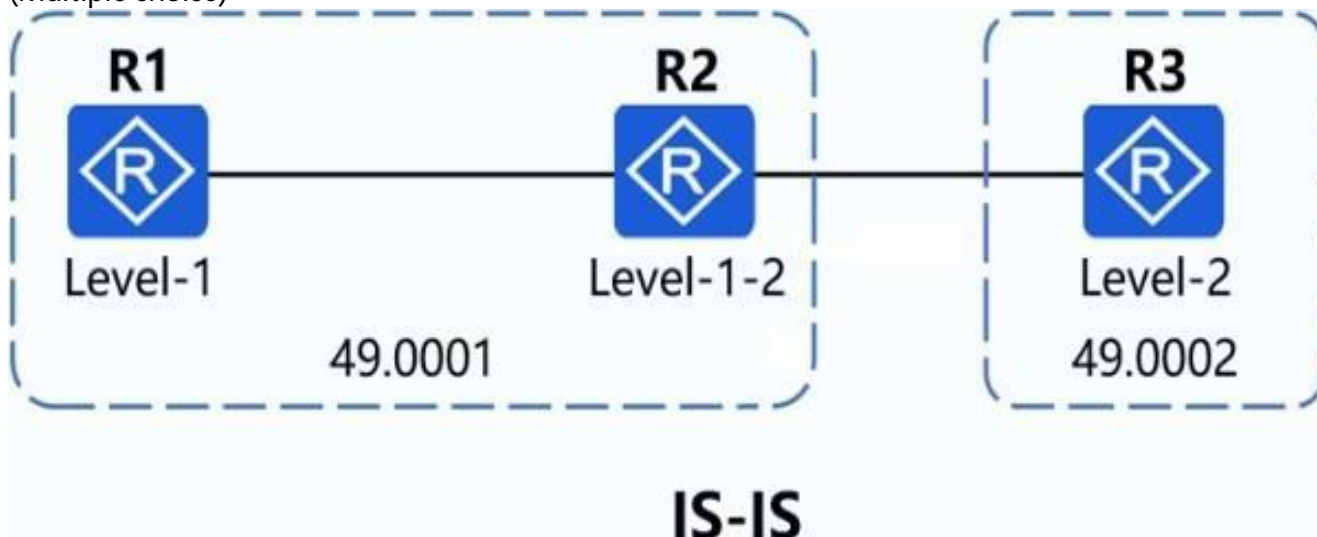
NO.16 In the Hub&Spoke network shown in the figure, in order to achieve correct routing transmission, the administrator must manually configure the command peer10.1.2.10 (all letters are lowercase) in the BGP-VPN_out view of the Hub-PE.



Answer:

all-as-loop

NO.17 In the IS-IS network shown in the figure, R1 introduces the default route through the "default-route-advertise always level-1" command. Which of the following descriptions is correct? (Multiple choice)



- A. There is a default route in R1's routing table.
- B. There is no default route in R3's routing table
- C. Although R1 is configured with the "default-route-advertise always level-1" command, it cannot import the default route
- D. There is a default route in R2's routing table

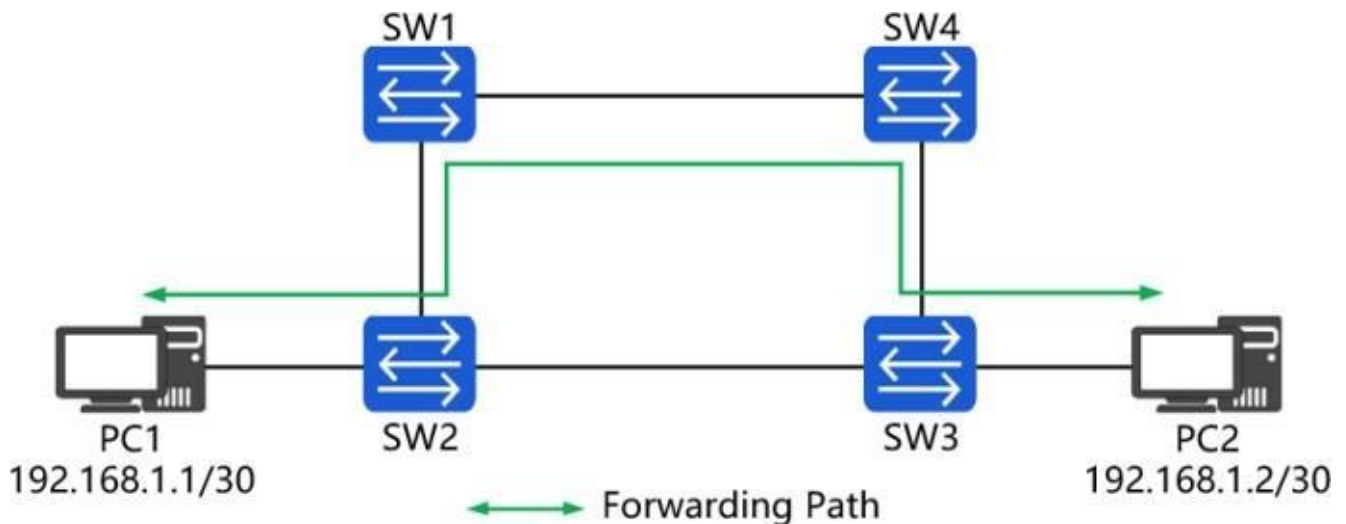
Answer: BC

NO.18 In an MPLS L3VPN deployment, PE routers exchange VPNv4 routes through MP-BGP. Customer routes are correctly learned from CE devices but are not installed into the correct VRF routing table on the remote PE. Which configuration element is most likely missing?

- A. LDP enabled on PE
- B. VPN instance import/export Route Target configuration
- C. OSPF sham-link
- D. BFD for BGP

Answer: B

NO.19 In the network shown in the figure, the network engineer found that the path between PC1 and PC2 is not the optimal path, and the cost value of each link is the same. Based on this analysis, which of the following priorities may the switch have?



- A. SW1 32768; SW2 4096; SW3 0; SW4 8192
- B. SW1 32768; SW2 0; SW3 4096; SW4 8192
- C. SW1 0; SW2 32768; SW3 8192; SW4 4096
- D. SW1 32768; SW2 12288; SW3 4096; SW4 8192

Answer: C

NO.20 As the scale of the enterprise network continues to expand, a certain enterprise plans to move the dispersed servers to the same computer room for unified management. At a certain stage of the relocation, the work content is hardware relocation. At this stage, the network engineer does not need to perform equipment commissioning, so the network engineer does not need to formulate a cutover plan.

- A. True
- B. False

Answer: B

NO.21 The Route-LSA generated by a router is shown in the figure. Which of the following descriptions are correct? (Multiple choice)

```

LS Age: 24
LS Type: Router-LSA
Link State ID: 0.0.0.0
Originating Router: 10.0.4.4
LS Seq Number: 0x80000006
Retransmit Count: 0
Checksum: 0xC3FE
Length: 56
Flags: 0x00 (-|-|-|-)
Options: 0x00011(-|R|-|-|V6)

Link connected to: a Transit Network
Metric: 1
Interface ID: 0x3
Neighbor Interface ID: 0x3
Neighbor Router ID: 10.0.4.4

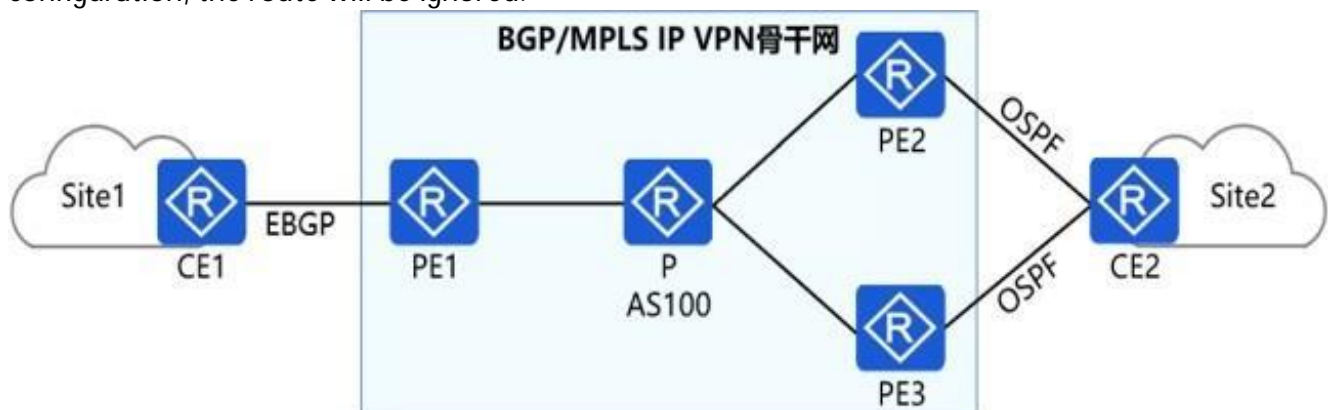
Link connected to: a Transit Network
Metric: 1
Interface ID: 0x5
Neighbor Interface ID: 0x5
Neighbor Router ID: 10.0.4.4

```

- A. The router belongs to the stub area
- B. Other routers can forward IPv6 traffic through this router
- C. The router is an ABR
- D. The router is the DR of the local link

Answer: ABD

NO.22 An enterprise network is shown in the figure. If CE2 is dual-owned by PE2 and PE3, a Type 5 LSA routing loop may occur. The loop can be prevented by setting the route-tag command on PE2 and PE3 devices. When the Route Tag of the route received by PE3 is the same as the local configuration, the route will be ignored.



- A. True
- B. False

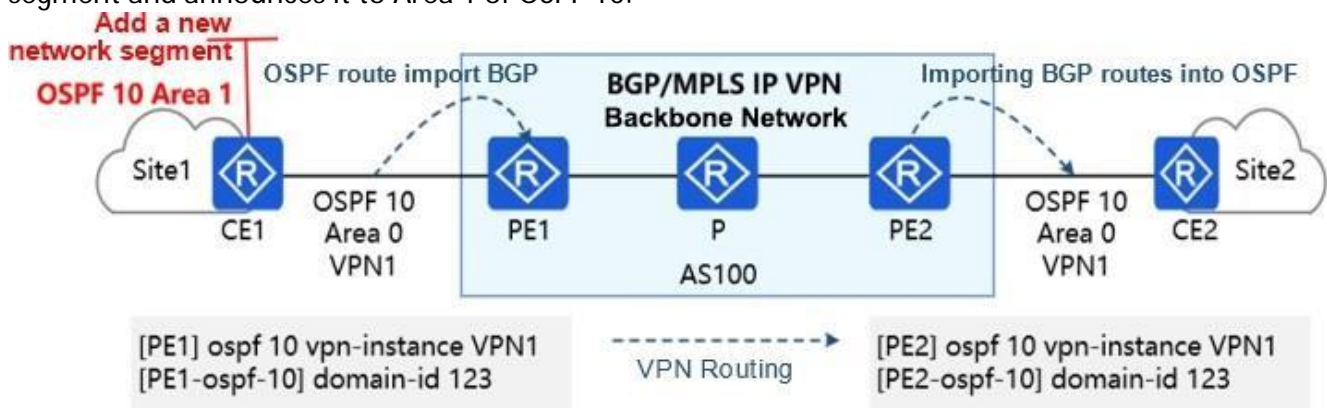
Answer: A

NO.23 A DHCP Snooping-enabled device will generate a DHCP Snooping binding table based on the DHCP request message information sent by the DHCP client, thereby implementing matching checks on subsequent messages and preventing attacks from illegal users.

- A. True
- B. False

Answer: B

NO.24 The business routes of an enterprise are transmitted in the network, and part of the configuration of PE1 and PE2 is shown in the figure. At this time, CE1 adds a new business network segment and announces it to Area 1 of OSPF 10.



In this scenario, which type of LSA will CE2 receive, which will contain the service network segment newly announced by CE1?

- A. Type 5 LSA
- B. Type 2 LSA
- C. Type 1 LSA
- D. Type 3 LSA

Answer: D

NO.25 Which of the following is not included in the OSPF Hello message?

- A. Router ID
- B. Process ID
- C. Area ID
- D. Network Mask

Answer: B

NO.26 In order to protect the BGP protocol from attacks, MD5 authentication can be used between BGP neighbors to reduce the possibility of attacks. The MD5 algorithm is simple to configure. After configuration, a single password is generated, and human intervention is required to change the password.

- A. True
- B. False

Answer: A

NO.27 The detection mechanism of BFD is that two systems establish a BFD session and periodically

send BFD control messages along the path between them. If one party does not receive the BFD control message within a specified time, it is considered that a fault has occurred on the path.

Which of the following reasons will not cause the BFD session to go Down?

- A. The remote identifier and local identifier of the BFD session do not match
- B. The message with UDP port number 4784 is rejected
- C. The session-name of the BFD session is inconsistent
- D. The outbound interface bound to the single-hop BFD session is physically faulty.

Answer: C

NO.28 In a BGP/MPLS IP VPN network, when which of the following routing protocols is running between CE and PE, the device can perform route redistribution operations without BGP?

- A. BGP
- B. Static routing
- C. IS-IS
- D. OSPF

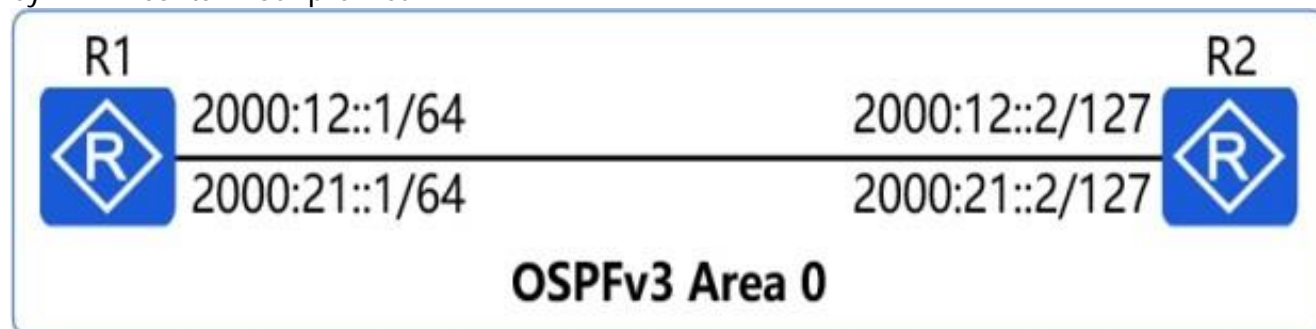
Answer: A

NO.29 In a BGP/MPLS IP VPN network, if you want to modify the RD value of a VPN instance, you must first enable the address family corresponding to the VPN instance or delete the VPN instance.

- A. True
- B. False

Answer: B

NO.30 In the OSPFv3 network shown in the figure, the interfaces of R1 and R2 both have two IPv6 addresses. Although the prefix lengths of the IPv6 addresses of R1 and R2 are different, they can still establish an OSPFv3 neighbor relationship. If R2 is the DR, then the Intra-Area-Prefix-LSA generated by R2 will contain four prefixes.



- A. True
- B. False

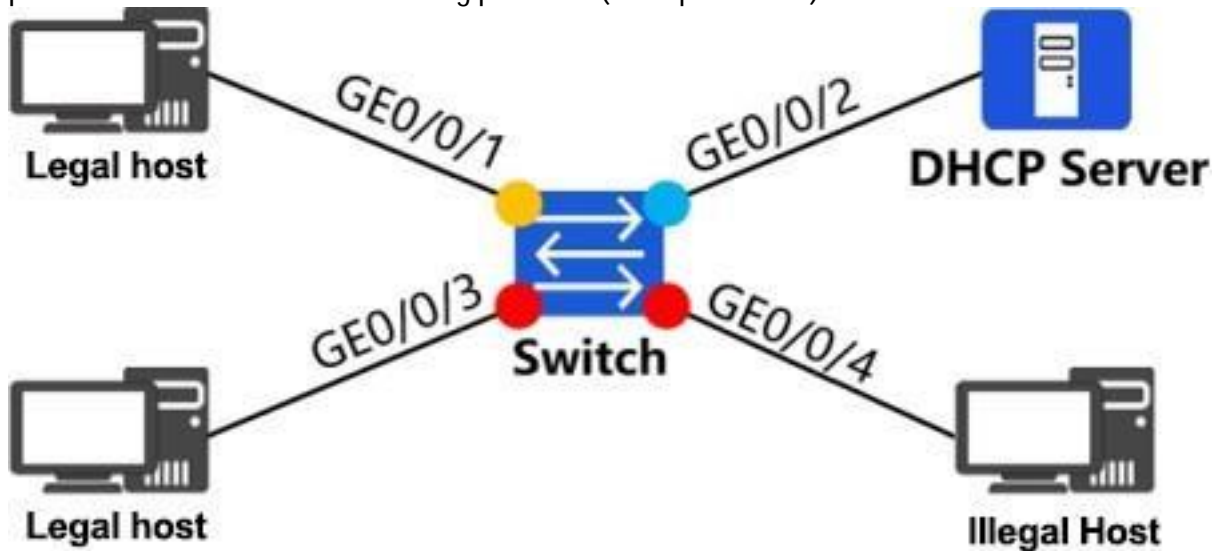
Answer: A

NO.31 A network engineer of an enterprise wants to save IP addresses and isolate Layer 2 mutual access by deploying VLAN aggregation and MUX VLAN. In order to save VLAN resources, the engineer can set super VLAN and MUX VAN to the same VLANID.

- A. True
- B. False

Answer: B

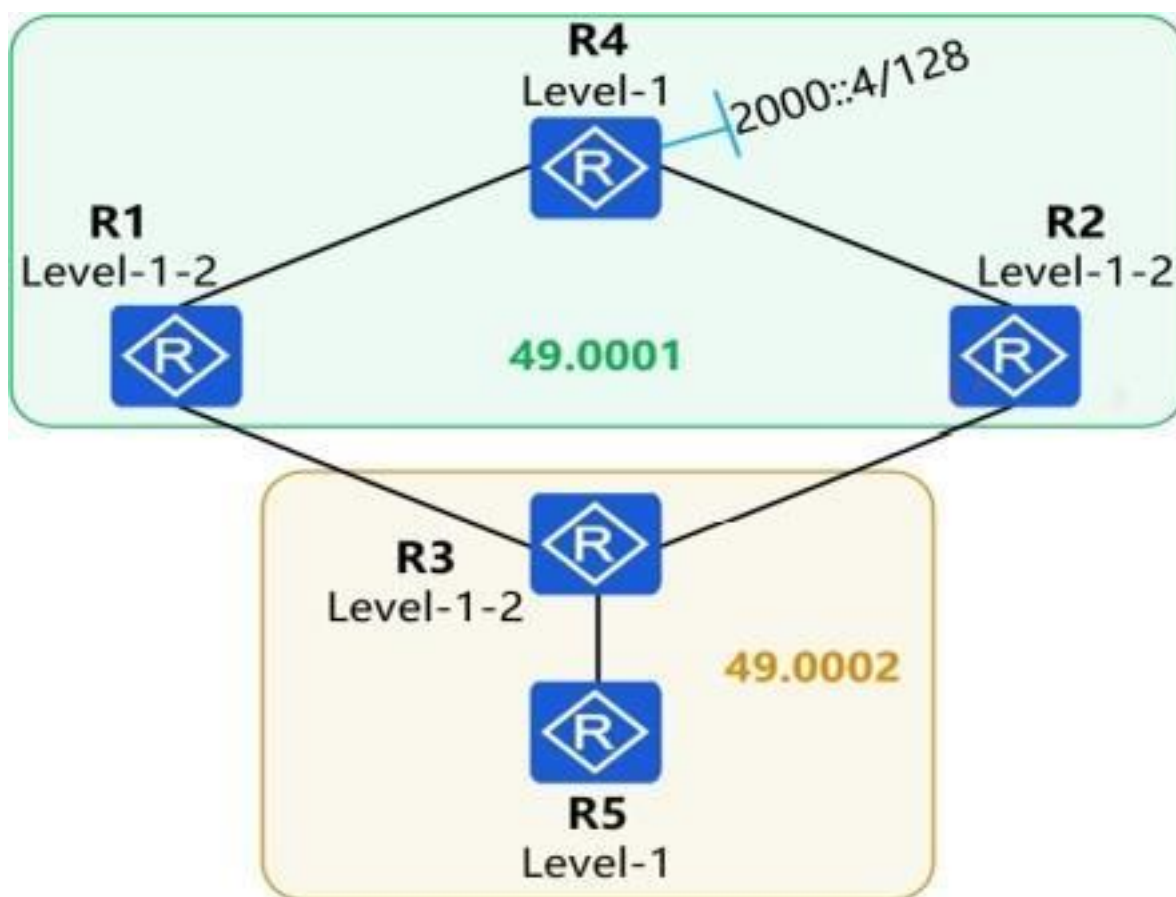
NO.32 The network administrator has deployed the IPSG function on the switch to prevent IP address spoofing attacks. Among the device interfaces shown in the figure, which interfaces will not perform IPSG checks after receiving packets? (Multiple choice)



- A. GE0/0/1
- B. GE0/0/4
- C. GE0/0/3
- D. GE0/0/2

Answer: BCD

NO.33 On the IS-IS IPv6 network shown in the figure, multi-topology is enabled on all routers. The IPv6 address of Loopback0 on R4 is 2000::/128. The IPv6 summary 2000::/64 level-1-2 command is configured in the IS-IS processes of R2 and R1. Which of the following statements is false?



- A. The routing table of R1 contains the route 2000::/64.
- B. The routing table of R2 contains the route 2000::/64.
- C. The routing table of R3 contains the route 2000::/128.
- D. The routing table of R2 contains the route 2000::/128.

Answer: C

NO.34 When the switch is configured with the port isolation function, by default, different hosts belonging to the same VLAN cannot communicate at Layer 2 and Layer 3.

- A. True
- B. False

Answer: A

NO.35 A route-policy is configured in BGP to match a specific prefix and set Local Preference to 200. After configuration, the route is still selected with a lower Local Preference. What is the most likely cause?

- A. Policy not applied to the BGP peer or direction
- B. MED value too high
- C. AS-Path attribute shorter
- D. Weight attribute configured

Answer: A